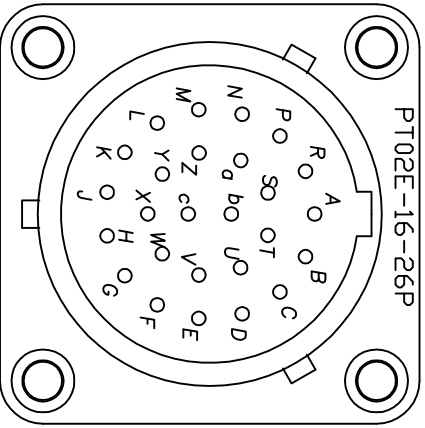
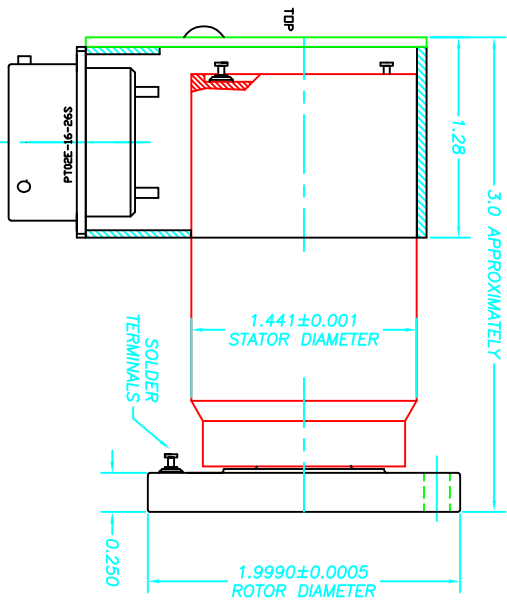
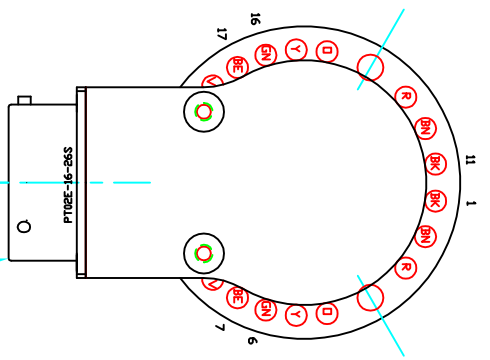
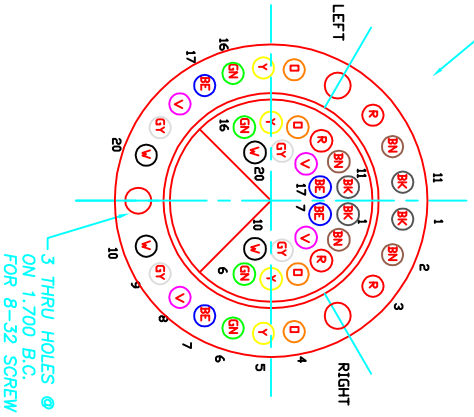
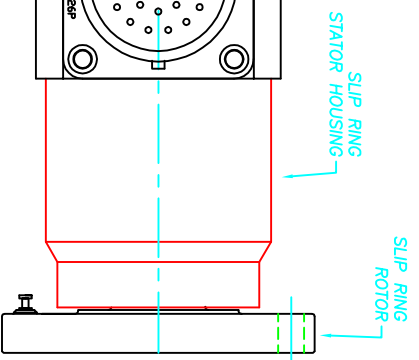
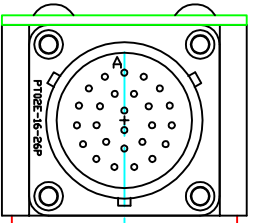
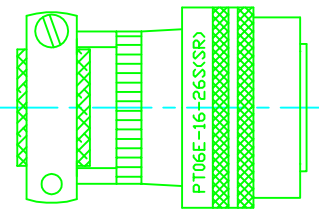


C456204A

CONNECTOR & BRACKET NOT SHOWN IN THIS VIEW



RING POSITION	COLOR	STATOR CONNECTOR BENDIX PT02E-16-26P
20	WHITE	V
19	GREY	V
18	VIOLET	U
17	BLUE	T
16	GREEN	S
15	YELLOW	R
14	ORANGE	R
13	RED	N
12	BROWN	M
11	BLACK	L
10	WHITE	K
9	GREY	J
8	VIOLET	H
7	BLUE	G
6	GREEN	F
5	YELLOW	E
4	ORANGE	D
3	RED	C
2	BROWN	B
1	BLACK	A



SR20M/EL SLIP RING & C574156B CONNECTOR BRACKET & PT02E-16-26P CONNECTOR.  
THIS SLIP RING HAS 20 RINGS WITH EXTENDED LIFE CONTACTS.

**MICHIGAN SCIENTIFIC CORPORATION**  
08500 ANGE ROAD  
CHARLEVOIX, MI 49720  
PHONE: (231)547-5511 FAX: (231)547-7070

**DESIGNED BY: KDL** **DATE: 6-1-11** **SCALE:**

**TOLERANCES:**  
XXX ±---  
XX ±---  
X ±---  
ANGLES ±---  
SURFACE ---RMS  
FINISH ---RMS

**TITLE:** SR20M/EL & CONNECTOR BRACKET  
**CHECKED:** SHT OF SHIS: SIZE  
**BY:** AH

**DRAWING NO.:** C456204A **MATERIAL:** VARIOUS

DATE	BY	REVISION	LDC.